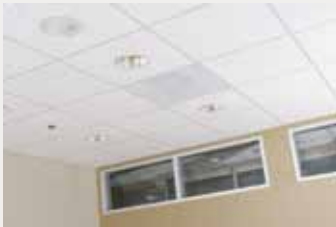




**i** The LA-ICM model is used when the loudspeaker must be installed in gypsum or another hard ceiling material. A downward-facing loudspeaker (sometimes called 'direct field') is only used when installation conditions require because the masking sound's dispersion and uniformity will be reduced.

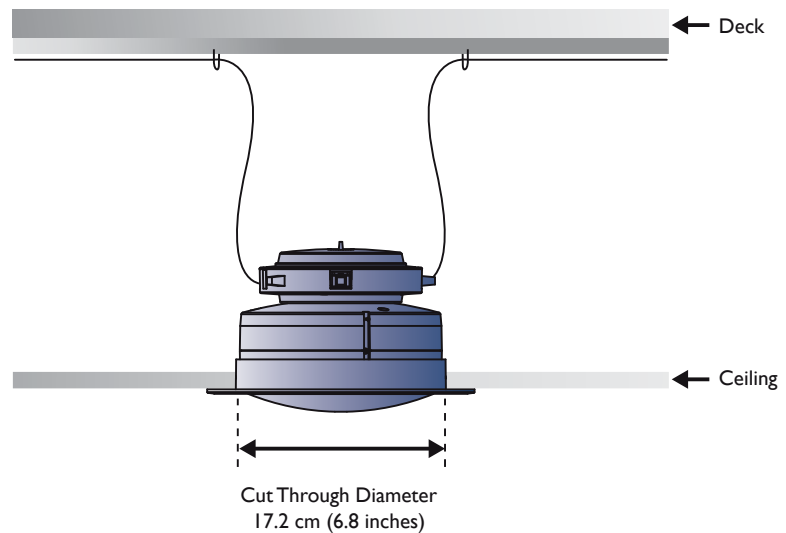


The adapter ring pictured above is white. Custom colors, with coordinating loudspeaker grilles, are also available.



The photo above shows the LA-ICM model installed in the ceiling.

A loudspeaker is connected to a hub and used to broadcast masking, paging and/or music. While otherwise identical to the Loudspeaker (LA-I), the LA-ICM model is the preferred choice for downward-facing installation in gypsum or other hard ceilings. The hub is attached to the loudspeaker and lowered into an adapter ring that has been mounted to the ceiling. A steel back plate offers support.



### SPECIFICATIONS

#### Physical Specifications

Faceplate Diameter	22 cm; 8.7 inches
Depth	2.8 cm; 1.1 inches
Material	Resin
Color	White; custom colors available
Weight	0.1 kg; 0.2 lb

#### Mounting

Attachment to Loudspeaker	Lay-in (with option for screw attachment)
Cut-Through Diameter	17.2 cm; 6.8 inches
Suspension to Ceiling	3-point suspension
Bolt Size for Suspension	8-32 x 2.5 inches
Backup Suspension	Additional suspension option from d-ring on hub

#### Warranty

5 years; see LogiSon® Product Warranty for details

\* For loudspeaker specifications, refer to the Loudspeaker (LA-I) section of this catalogue.