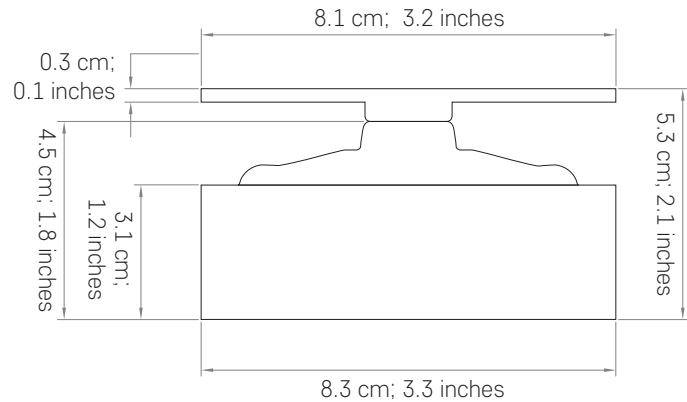


Transducer

Deliver masking, paging and music via a solid surface, such as gypsum, eliminating the need to cut a hole in hard ceilings in order to accommodate a loudspeaker.

Also use this model to transfer the masking sound to walls, windows, doors and other solid surfaces, impeding audio surveillance. The LogiSon Acoustic Network is the only sound masking system that provides a truly random (nondeterministic) digital masking generation process, making it exceedingly difficult to filter. Precision-tuning ensures the transducer's frequency output is on target, regardless of the material to which it's applied.



T

Driver Specifications

Frequency Range	Varies according to surface material
Power Handling	15 W (RMS)
Impedance	16 ohms

Connections

Input	2-pin
-------	-------

Cabling

Transducer to Hub	Cable assembly
-------------------	----------------

Physical Specifications

Dimensions (W x H)	8.3 x 5.3 cm; 3.25 x 2.12 inches
Housing	Plenum-rated resin
Color	Black
Weight	0.57 kg; 1.3 lbs

Mounting	Various
----------	---------

Warranty	5 years; see LogiSon® Product Warranty for details
----------	--

Certifications	Meets UL, CE and FCC standards and is approved for use in air-handling plenums; RoHS compliant
----------------	--

SPECIFICATIONS